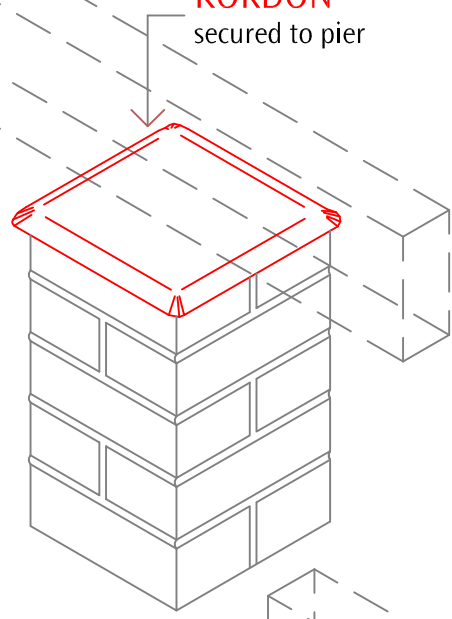
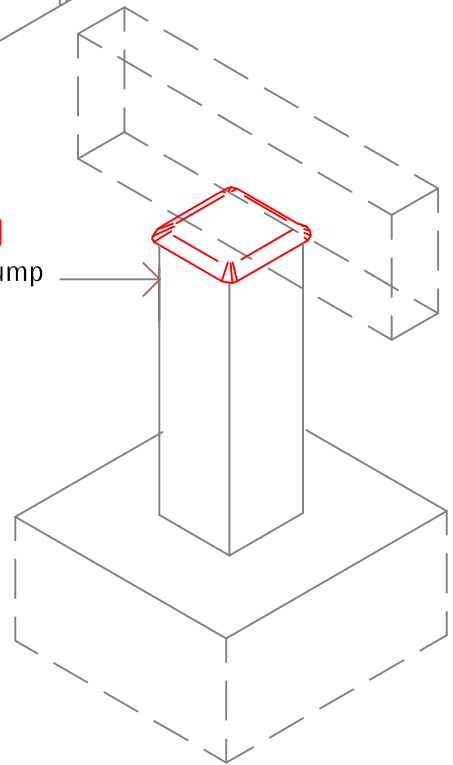


KORDON
as per perimeter details

KORDON
secured to engaged
piers
KORDON
secured to pier



KORDON
concrete stump



Note:
On all piers and stumps, Kordon meets ant cap and moisture membrane requirements.
Conventional ant caps can be placed on top of Kordon.

 **KORDON TERMITE BARRIER**

Subject

bearers & joist



CODEMARK™
GM-07-CM30001

Sheet No.

kd 051/b